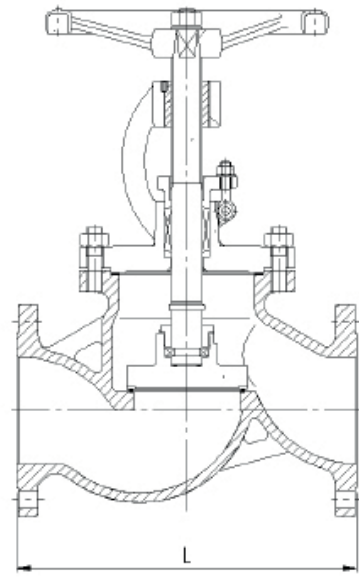
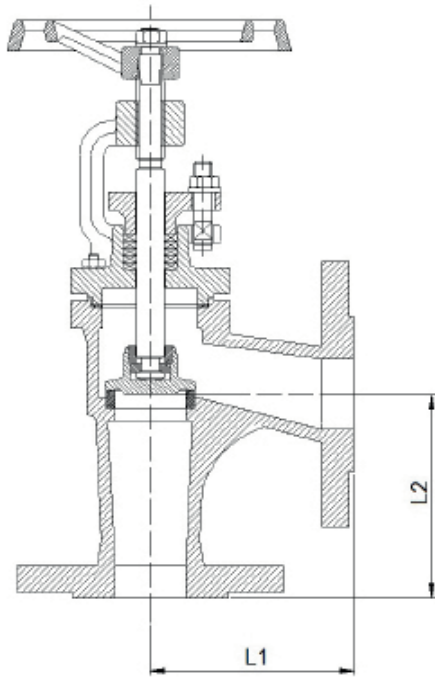


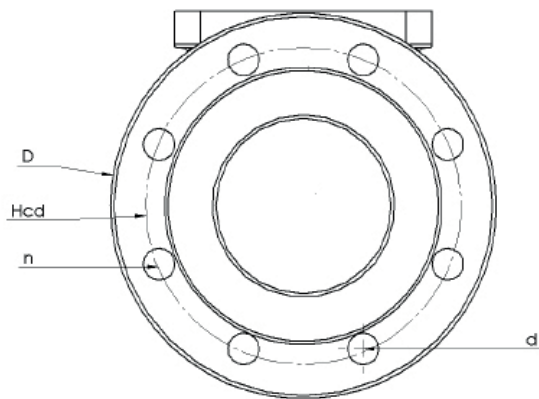
HOW TO MEASURE A VALVE

In Order to supply correct valve we want information about dimensions acc to below.
If possible also medium, pressure and temperature.



L = Face to Face Length
L1 = Face to Center Length
L2 = Face to Center Length

Please note
raised face
is included in
L, L1 and L2



D = Flange diameter
Hcd = Hole circle diameter
d = Diameter of bolt holes
n = Number of bolt holes