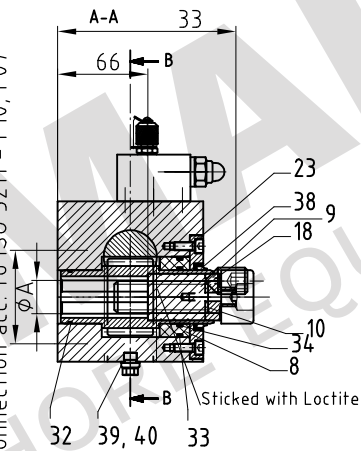


Sticked with Loctite

Flange connection acc. to ISO 5211 - F10, F07



Max. working pressure: 13 Mpa
 Test pressure: 20 Mpa
 Torque, closing: 126Nm at 10.5 Mpa
 Stroke volume at 90°: 51,5 cm³

Pos.	Item Number	Description	Material	Gewicht/Weight
1	0891-00-311	body	GGG-40	
2	0850-00-145	cover	GGG-40	
3	0850-00-208	cover, stop	GGG-40	
(4)				
5	0837-00-102	bush	Steel	
6	0975-00-025	rack bar	42CrMo4	
(7)				
8	0837-00-036	bush	PTFE/graphite	
9	0966-00-061	pinion plug	1.4571	
10	0844-00-002	adjusting washer	1.4571	
11	0844-00-028	flange	GGG-40	
12				
13	0934-00-057	piston	steel	
14				
15				
16				
17	0120-00-032	grub screw	A4	
18	0120-00-033	grub screw	A4	
19	0101-00-123	cyl.screw	10.9	
20				
21				
22				
23	0101-00-074	cyl.screw	A4	
24	0101-00-101	cyl.screw	8.8	
25				
26				
27				
28	0201-00-016	spring ring	A4	0,008 kg
29	0301-00-037	o-ring	NBR	0,0006 kg
30	0301-00-110	o-ring	NBR	0,0011 kg
31	0301-00-060	o-ring	NBR	0,006 kg
32	0301-00-054	o-ring	NBR	0,00030 kg
33	0301-00-089	o-ring	NBR	0,0013 kg
34	0301-00-053	o-ring	NBR	0,001 kg
35	0301-00-014	o-ring	NBR	0,00004 kg
36	0318-00-007	Guide strip	PTFE/Bronze	0,01 kg
37	0306-00-010	piston sealing	NBR	0,02 kg
38	0311-00-027	mud stripper	PU 7	0,02 kg
39	0312-00-031	sealing ring	Cu	0,002 kg
40	0112-00-007	plug	A4	
41				
42				
43	0301-00-049	o-ring	NBR	0,0009 kg
44				
45	0629-00-002	expander		
46				

Position 45 (expander) not shown

Ritzelbohrung ØA				Untoleranced dimensions acc. to ISO 2768-m	Roughness acc. to ISO 1302
12 H7				Scale: -	A3
14 H7				Weight: -	Material: -
20 H7				Hydraulic Actuator SHA/S 28	
22 H7					
25 H7					
18	+61604650	Index	Revision	Date	Name
16	+61604640				
14	+61604740				
Ritzelbohrung ØA H7	Artikel	All edges to be chamfered			
OUR DRAWINGS ARE SUBJECT TO COPYRIGHT					
SANDERMARINE			Date	Name	Article-No.:
MARINE + OFFSHORE EQUIPMENT			Drawn	09.04.2019	----
BREMEN-GERMANY			Checked		
E-Mail: info@sander-marine.com					Drawing-No.:
					3-3829
					Figure:
					0967