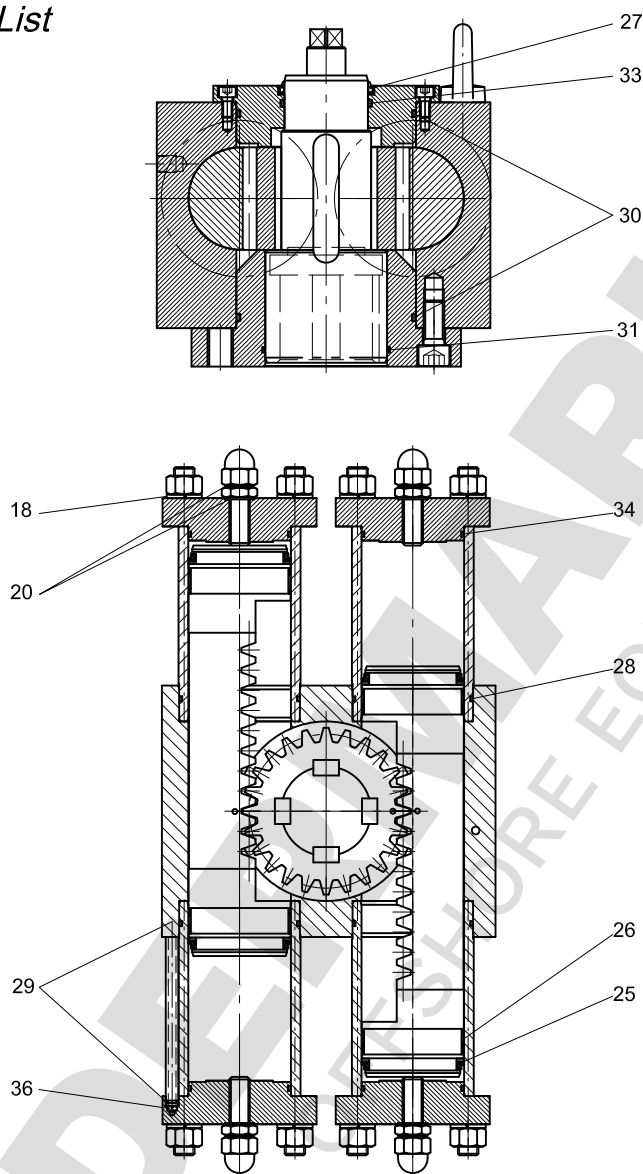


13.0 Spare Part List

13.5 SHA/D 70;
SHA/D 160



Item	Description	Picture	Qty.	SHA/D70	Qty.	SHA/D160
18	Spring ring		16	0875-00-272	16	0875-00-192
20	Washer		16		16	
25	Piston sealing		4		4	
26	Guide ring		4		4	
27	Mud stripper		1		1	
28	O-Ring		4		4	
29	O-Ring		8		8	
30	O-Ring		2		2	
31	O-Ring		1		1	
33	O-Ring		1		1	
34	O-Ring		4		4	
36	Sinterfilter		-		4	

BREMEN-GERMANY
E-MAIL info@sander-marine.com

SANDERMARINE
MARINE + OFFSHORE EQUIPMENT

PHONE +49-421-48603-0
FAX +49-421-48603-89