

HYDRAULIC ACTUATOR

SHA/DA
32/40/63

DOUBLE ACTING TYPE - SANTORQUE® SHA/DA

APPLICATION: To operate ball or butterfly valves from a distance.

WORKING PRESSURE: 10.3 MPa acc. to DIN EN 15714-4

WORKING TEMPERATURE:
NBR O-Rings (standard): -30°C to +100°C
Viton® O-Rings (optional): -15°C to +200°C

HYDRAULIC OIL: HLP 32 (-10°C to +50°C)

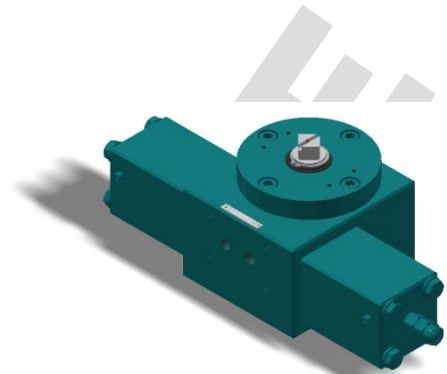
To protect the environment use environmentally friendly hydraulic oil: PLANTOFLUX-AT-S

TECHNICAL DATA:

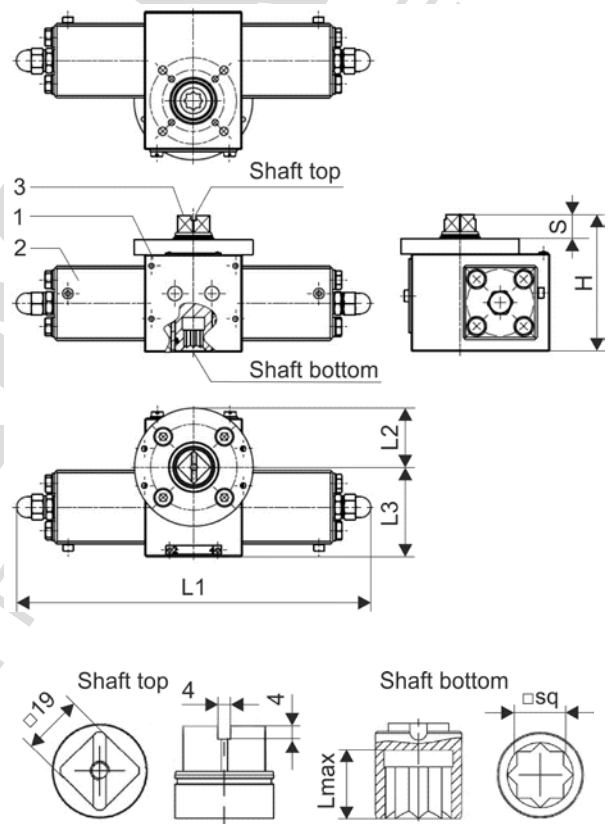
Rotation: 90° ±3°
Closing direction: Clockwise
Connection for control block and hydraulic connection: 2 x G1/4

PAINTING:
Base coating: 160µm Epoxy
Finish coating: 120µm Epoxy
Color: RAL 5018

- OPTIONS:**
- Set for submerged installation
 - Electric limit switches IP 67, IP 68 or Ex-proof
 - Proximity switches IP 68
 - Position feedback by volume indicator or pressure switches
 - Various control blocks
 - Male stud couplings
 - Quick coupling for emergency operation
 - Throttle valve for speed control
 - Electro-hydraulic power pack



SHA/DA 40



Item	Part	Material
1	Body	EN-GJS400-15 (GGG 40)
2	Cover	EN-GJS400-15 (GGG 40)
3	Shaft	Stainless steel (1.4571)

FOR MOUNTING ON FLANGES ACCORDING TO DIN EN ISO 5211

Size	Torque ¹⁾ [Nm]	Stroke volume [cm ³]	L1 [mm]	L2 [mm]	L3 [mm]	L _{max} [mm]	H [mm]	S [mm]	DIN EN ISO 5211	Weight [kg]
32	180	30	296	48	73	33	111	20	F05 and F07	9
40	400	70	403	75	87	40	154	20	F07 and F10 or F12	25
63	1000	170	403	88	93	40	154	20	F10 or F12 or F14*	30

¹⁾ For control pressure 10.3 MPa Standard

SHAFT CONNECTION

SHA/DA 32			SHA/DA 40			SHA/DA 63		
□sq	max. Torque [Nm]	max. Pressure ²⁾ [MPa]	□sq	max. Torque [Nm]	max. Pressure ²⁾ [MPa]	□sq	max. Torque [Nm]	max. Pressure ²⁾ [MPa]
14*	125	6.5	27*	400	10.3	27*	1000	9.3
11	63	3.3	22	400	10.3	22	500	4.7
9	32	1.7	19	350	8.1	19	350	3.3
o	o	o	17	250	5.8	17	250	2.3

²⁾ Recommended reduced operating pressure according to DIN EN ISO 5211
* Standard

HYDRAULIC ACTUATOR

SHA/DA
80

DOUBLE ACTING TYPE - SANTORQUE® SHA/DA

APPLICATION:	To operate ball or butterfly valves from a distance.
WORKING PRESSURE:	10.3 MPa acc. to DIN EN 15714-4
WORKING TEMPERATURE:	
NBR O-Rings (standard):	-30°C to +100°C
Viton® O-Rings (optional):	-15°C to +200°C
HYDRAULIC OIL:	HLP 32 (-10°C to +50°C)

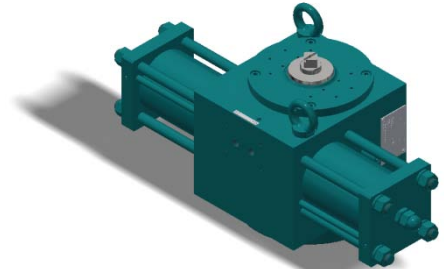
To protect the environment use environmentally friendly hydraulic oil: PLANTOFLUX-AT-S

TECHNICAL DATA:

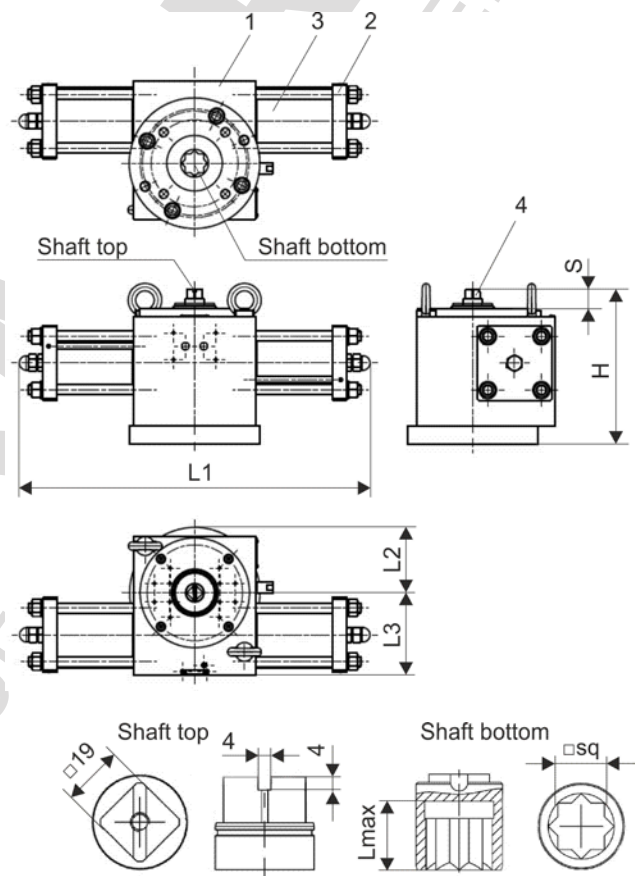
Rotation:	90° ±3°
Closing direction:	Clockwise
Connection for control block and hydraulic pipe:	2 x G1/4
For handling:	Lifting eyes for handling

PAINTING:	Base coating: 160µm Epoxy
	Finish coating: 120µm Epoxy
	Color: RAL 5018

- OPTIONS:**
- Set for submerged installation
 - Electric limit switches IP 67, IP 68 or Ex-proof
 - Proximity switches IP 68
 - Position feedback by volume indicator or pressure switches
 - Various control blocks
 - Male stud couplings
 - Quick coupling for emergency operation
 - Throttle valve for speed control
 - Electro-hydraulic power pack



SHA/DA 80



Item	Part	Material
1	Body	EN-GJS400-15 (GGG 40)
2	Cover	EN-GJS400-15 (GGG 40)
3	Cylinder	Steel
4	Shaft	Stainless steel (1.4571)

FOR MOUNTING ON FLANGES ACCORDING TO DIN EN ISO 5211

Size	Torque ¹⁾ [Nm]	Stroke volume [cm³]	L1 [mm]	L2 [mm]	L3 [mm]	L _{max} [mm]	H [mm]	S [mm]	DIN EN ISO 5211	Weight [kg]
80	2600	473	560	105	132	60	261	36	F14 or F16*	90

¹⁾ For control pressure 10.3 MPa Standard

SHAFT CONNECTION

SHA/DA 80		
□Sq	max. Torque [Nm]	max. Pressure ²⁾ [MPa]
40	2600	10.3
36	2000	7.9
27	1000	4.0
22	500	2.0

²⁾ Recommended reduced operating pressure according to DIN EN ISO 5211 Standard

HYDRAULIC ACTUATOR

SHA/DA
70/160/200

DOUBLE ACTING TYPE - SANTORQUE® SHA/DA

APPLICATION:	To operate ball or butterfly valves from a distance.
WORKING PRESSURE:	10.3 MPa acc. to DIN EN 15714-4
WORKING TEMPERATURE:	
NBR O-Rings (standard):	-30°C to +100°C
Viton® O-Rings (optional):	-15°C to +200°C
HYDRAULIC OIL:	HLP 32 (-10°C to 50°C)

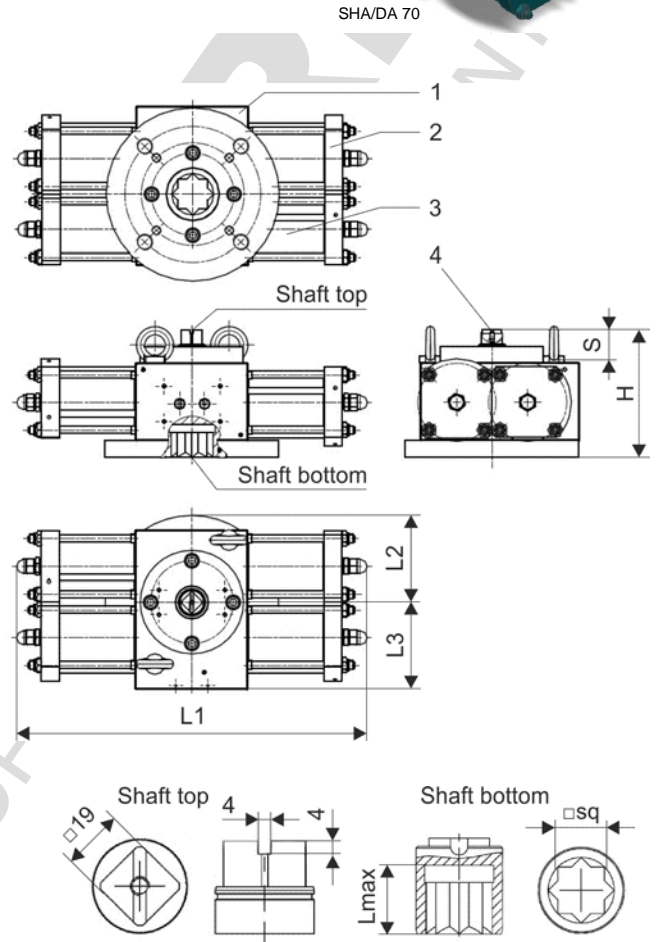
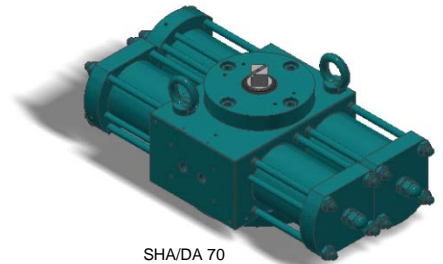
To protect the environment use environmentally friendly hydraulic oil: PLANTOFLUX-AT-S

TECHNICAL DATA:

Rotation:	90° ±3°
Closing direction:	Clockwise
Connection for control block and hydraulic pipe:	2 x G1/4
For handling:	Lifting eyes

PAINTING:	Base coating: 160µm Epoxy
	Finish coating: 120µm Epoxy
	Color: RAL 5018

- OPTIONS:**
- Set for submerged installation
 - Electric limit switches IP 67, IP 68 or Ex-proof
 - Proximity switches IP 68
 - Position feedback by volume indicator or pressure switches
 - Various control blocks
 - Male stud couplings
 - Quick coupling for emergency operation
 - Throttle valve for speed control
 - Electro-hydraulic power pack



Item	Part	Material
1	Body	EN-GJS400-15 (GGG 40)
2	Cover	EN-GJS400-15 (GGG 40)
3	Cylinder	Steel
4	Shaft	Stainless steel (1.4571)

FOR MOUNTING ON FLANGES ACCORDING TO DIN EN ISO 5211

Size	Torque ¹⁾ [Nm]	Stroke volume [cm³]	L1 [mm]	L2 [mm]	L3 [mm]	L _{max} [mm]	H [mm]	S [mm]	DIN EN ISO 5211	Weight [kg]
70	2000	338	426	88	107	40	156	20	F12 or F14*	48
160	5200	946	564	150	150	60	257	30	F16 or F25*	103
200	15700	2764	924	238	238	110	398	30	F25 or F30*	371

¹⁾ For control pressure 10.3 MPa Standard

SHAFT CONNECTION

SHA/DA 70			SHA/DA 160			SHA/DA 200		
□sq	max. Torque [Nm]	max. Pressure ²⁾ [MPa]	□sq	max. Torque [Nm]	max. Pressure ²⁾ [MPa]	□sq	max. Torque [Nm]	max. Pressure ²⁾ [MPa]
36*	2000	10.3	55*	5200	10.3			
27	1000	5.2	46	4000	7.9			
22	500	2.6	36	2000	4.0			
o	o	o	27	1000	2.0			
Upon request								

²⁾ Recommended reduced operating pressure according to DIN EN ISO 5211 Standard