

# HYDRAULIC LINEAR ACTUATOR

SHLAV/SA

## SINGLE ACTING TYPE

### DESCRIPTION:

Hydraulic linear actuator for dry or submerged installation.  
Hydraulically opening and spring closing.

### APPLICATION:

Used for stop and non-return valves.

**MAX. WORKING PRESSURE:** 0.4 to 0.8 MPa

### WORKING TEMPERATURE:

NBR O-Rings (standard): -30°C to +100°C

Viton® O-Rings (optional): -15°C to +200°C

### HYDRAULIC OIL:

To protect the environment  
use environmentally friendly  
hydraulic oil:

HLP 32 (-10°C to +50°C)

PLANTOFLUX-AT-S

### MATERIAL :

See table below.

### PAINTING:

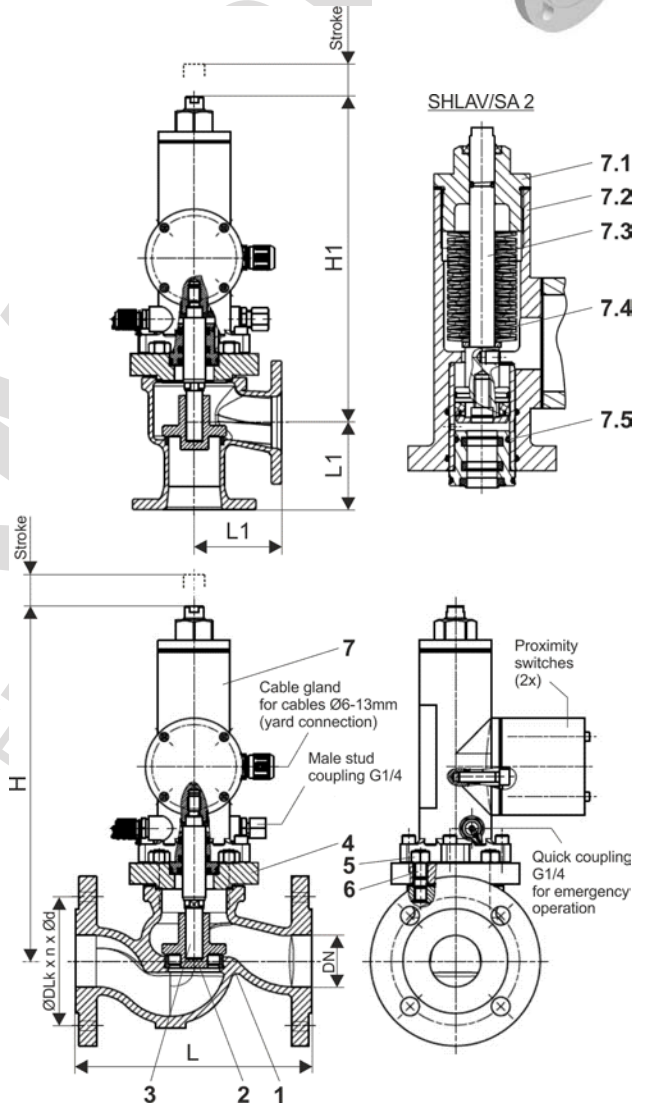
Base coating: 160µm Epoxy

Final coating: 120µm Epoxy

Color: RAL 5018

### OPTIONS:

- Submerged type.
- Electric limit switches IP 67, IP 68 or Ex-proof.
- Proximity switches IP 68.
- Position feedback by volume indicator or pressure switch.
- Various control blocks.
- Quick coupling for emergency operation.
- Throttle valve for speed control.
- Potentiometer.
- Electro-hydraulic power pack.
- Ball valve.



Item	Part	Material
1	Body, complete (valve)	EN-GJS-400-15 (GGG 40)
2	Valve cone	CuSn5Zn5Pb5-C-GS
3	Stem (Variant 1)	X20Cr13
	Stem (Variant 2)	CuZn35Ni3Mn2AlPb
4	Cover flange	EN-GJS-400-15 (GGG 40)
5	Stud bolt	A4-70 / DIN 939
6	Hexagon nut	A4 / DIN EN ISO 4032
7	SHLAV/SA 2	
7.1	Bonnet	EN-GJS-400-15 (GGG 40)
7.2	Body	EN-GJS-400-15 (GGG 40)
7.3	Piston rod (Variant 1)	X20Cr13
	Piston rod (Variant 2)	CuZn35Ni3Mn2AlPb
7.4	Disc spring	Spring steel
7.5	O-Rings	NBR

Description	SHLAV/SA						
	Data valid for PN10 / PN16						
	DN40	DN50	DN65	DN80	DN100	DN125	DN150
L	200	230	290	310	350	400	480
H	343	347	351	443	467	582	606
L1	115	125	145	155	175	200	225
H1	320	321	326	413	418	526	526
ØDLk x n x Ød	110x4x19	125x4x19	145x4x19	160x4x19	180x8x19	210x8x19	240x8x23
Max. working pressure [MPa]	0.8	0.8	0.6	0.5	0.4	0.4	0.4
Oil volume [cm <sup>3</sup> ]	13,5	13,5	13,5	32	32	105	105
Stroke	18	18	18	26	26	30	30

FLANGE CONNECTION DIMENSIONS ACCORDING DIN EN 1092-2 (Alternative dimensions upon request)