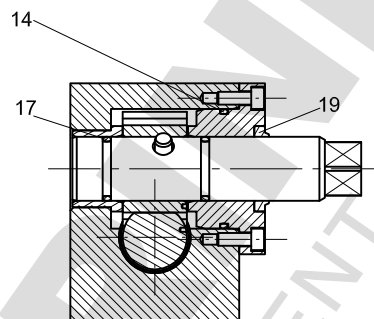
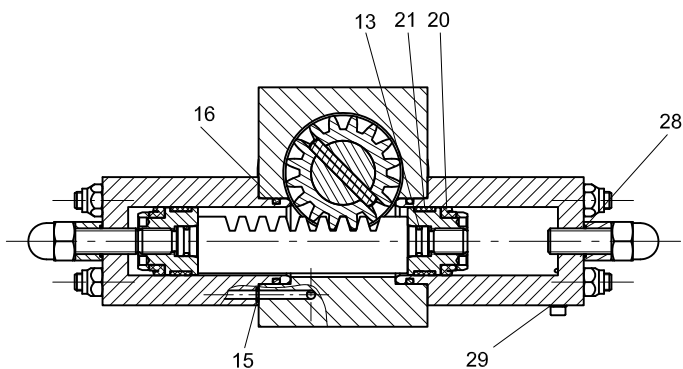
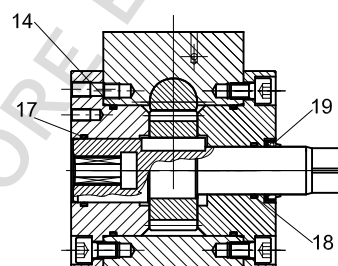
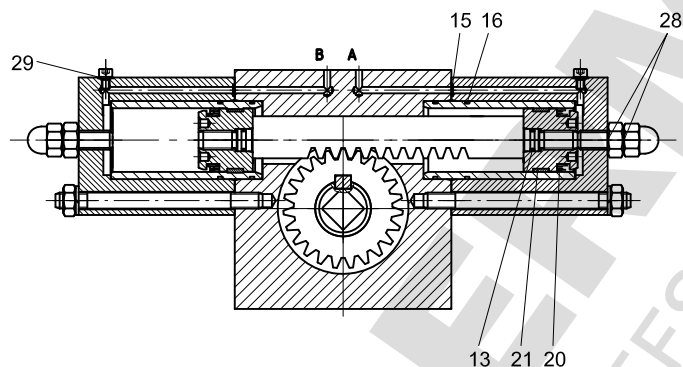


13.0 Spare Part List

13.1 SHA/D 32



13.2 SHA/D 40 ; SHA/D 63



Item	Description	Picture	Qty.	SHA/D32	Qty.	SHA/D40	Qty.	SHA/D63
13	O-Ring		2		2		2	
14	O-Ring		1		2		2	
15	O-Ring		2		2		2	
16	O-Ring		2		4		4	
17	O-Ring		2		1		1	
18	O-Ring		-		1		1	
19	Mud stripper		1	0875-00-180	1	0875-00-094	1	0875-00-098
20	Piston sealing		2		2		2	
21	Guide ring		2		2		2	
28	Gasket		-		4		4	
28	O-Ring (since 2010)		4		4		4	
29	Gasket		2		2		2	

BREMEN-GERMANY
E-MAIL info@sander-marine.com

SANDERMARINE
MARINE + OFFSHORE EQUIPMENT

PHONE +49-421-48603-0
FAX +49-421-48603-89