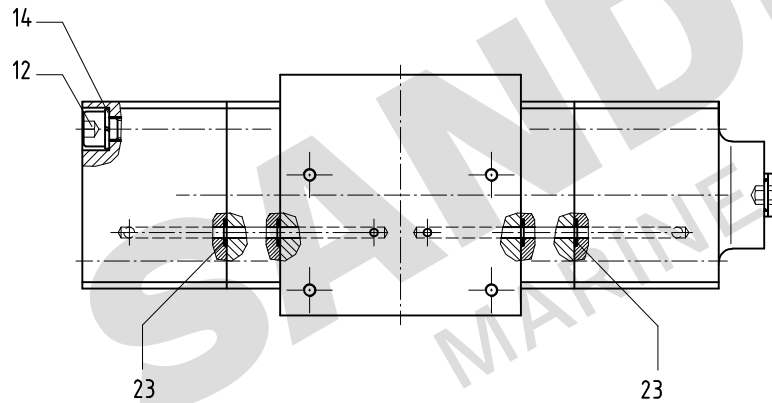
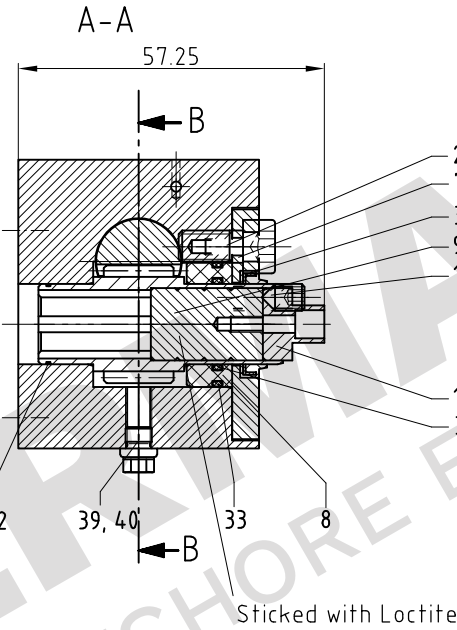
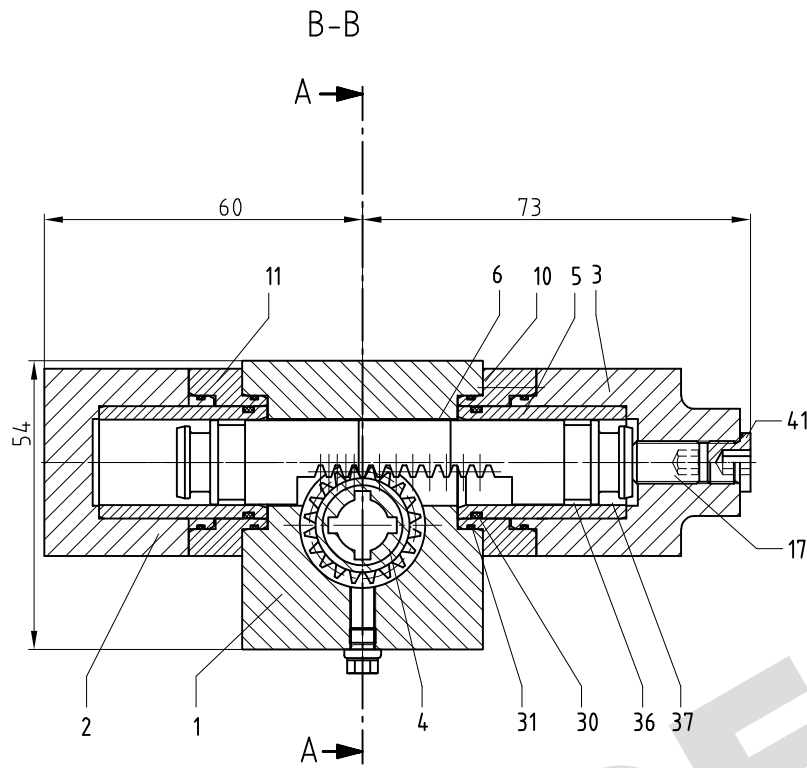


Position 23 turned into drawing plane



Max. working pressure: 13 Mpa

Test pressure: 20 Mpa

Torque: 179 Nm

Stroke volume at 90°: 22,3 cm³

Pos.	Item Number	Discription	Material	Gewicht/Weight
1	0891-00-310	body	GGG-40	
2	0850-00-139	cover	GGG-40	
3	0850-00-209	cover, stop	GGG-40	
(4)				
5	0837-00-103	bush	Steel	
6	0975-00-030	rack bar	42CrMo4	
(7)				
8	0837-00-033	bush	PTFE/graphite	
9	0966-00-060	pinion plug	1.4571	
10	0844-00-001	adjusting washer	1.4571	
11	0884-00-030	flange	steel	
12	0884-00-029	flange	steel	
13				
14				
15				
16				
17	0120-00-038	grub screw	A4	
18	0120-00-033	grub screw	A4	
19	0101-00-124	cyl.screw	12.9	
20				
21				
22				
23	0101-00-074	cyl.screw	A4	0,01 kg
24				
25				
26				
27				
28	0201-00-016	spring ring	A4	
29				
30	0301-00-049	o-ring	NBR	0,0009 kg
31	0301-00-118	o-ring	NBR	0,0005 kg
32	0301-00-038	o-ring	NBR	0,0001 kg
33	0301-00-126	o-ring	NBR	0,0010 kg
34	0301-00-041	o-ring	NBR	0,0007 kg
35	0301-00-014	o-ring	NBR	0,00004 kg
36	0318-00-007	Guide strip	PTFE/Bronze	0,01 kg
37	0306-00-047	piston sealing	NBR	0,02 kg
38	0311-00-023	mud stripper	PU 7	0,02 kg
39	0312-00-031	sealing ring	Cu	0,002 kg
40	0112-00-007	plug	A4	
41		plug	A4	
42				
43				
44				
45	0629-00-002	expander		
46				

0967-00-004

Artikel

Untoleranced dimensions acc. to ISO 2768-m		Roughness acc. to ISO 1302	
Scale: -	A3	Weight: -	Material: -
Hydraulic Actuator SHA/D 12 without pinion and flange			
Index		Date	
Revision		Name	
All edges to be chamfered			
OUR DRAWINGS ARE SUBJECT TO COPYRIGHT			
SANDERMARINE MARINE + OFFSHORE EQUIPMENT		Date	Name
BREMEN-GERMANY E-Mail: info@sander-marine.com		Drawn	09.04.2019
		Checked	----
Article-No:		Drawing-No:	
		3-3813	
		Figure:	
		0967	