

SANDERMARINE HYDRAULIC ACTUATOR

MARINE + OFFSHORE EQUIPMENT SINGLE ACTING TYPE - SanTorque® SHA/SA

MAX. WORKING PRESSURE: 10.3 MPa acc. to EN 15714-4

WORKING TEMPERATURE:

NBR O-Rings (standard) -20°C to 70°C

Viton O-Rings (optional) -40°C to 145°C

HYDRAULIC OIL: Viscosity range 15 to 64 cSt. acc. to thermal environment

TECHNICAL DATA:

Rotation: 90° ±3°

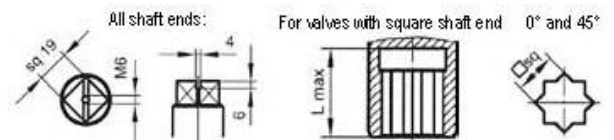
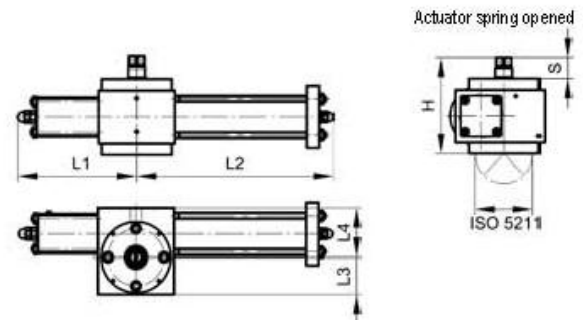
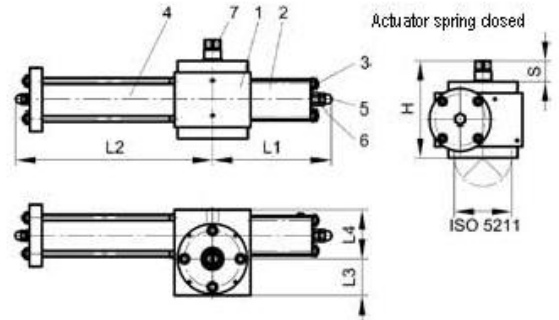
Closing direction: Clockwise (CW)

Painting: 2-comp. epoxy primer

Male stud coupling: OD8 to OD12

- OPTIONS:**
- Sea water resistant shaft.
 - Male stud coupling in stainless steel.
 - Electric limit switches IP 65, IP 68 or IP 67 Eex.
 - Proximity switches IP 68.
 - Position indication by volume indicator or pressure switches.
 - Control blocks.
 - Set for submerged installation.
 - Electro-hydraulic aggregate.
 - Special coating for wet conditions.

Item	Part	Material
1	Body	EN-GJS400-15
2	Cover	EN-GJS400-15
4	Cylinder	S355J2
7	Shaft	X8CrNiS 18-9



FOR MOUNTING ON FLANGES ACCORDING TO DIN 5211

Size	Torque ¹⁾ [Nm]		Stroke volume [cm ³]	L1	L2	L3	L4	H	S	ISO 5211	Weight [kg]
	Open	Close									
40-78 SC	320	78	68	216	273	63	87	174	36.5	F05 or F07/F10	27
40-78 SO	78	320	68	216	273	63	87	174	36.5	F05 or F07/F10	27
40-190 SC	210	190	68	216	348	63	87	174	36.5	F07/F10	29
40-190 SO	190	210	68	216	348	63	87	174	36.5	F07/F10	29
63 SC	640	360	169	216	378	63 or 75	87	174	36.5	F07/F10 or F12	32
63 SO	360	640	169	216	378	63 or 75	87	174	36.5	F07/F10 or F12	32
70 SC	1400	600	282	430	430	89 or 75	105	174	36.5	F10/F14 or F12	50
70 SO	600	1400	282	430	430	89 or 75	105	174	36.5	F10/F14 or F12	50

1) For control pressure 10.3 MPa

SHAFT CONNECTION

Size	□sq							L _{max}
40	14	16	17	19	22	27	40	
63	22	24	27	30	-	-	40	
70	22	24	27	30	-	-	40	

MAX. WORKING PRESSURE: 10.3 MPa acc. to EN 15714-4

WORKING TEMPERATURE:

NBR O-Rings (standard) -20°C to 70°C

Viton O-Rings (optional) -40°C to 145°C

HYDRAULIC OIL: Viscosity range 15 to 64 cSt. acc. to thermal environment

TECHNICAL DATA:

Rotation: 90° ±3°

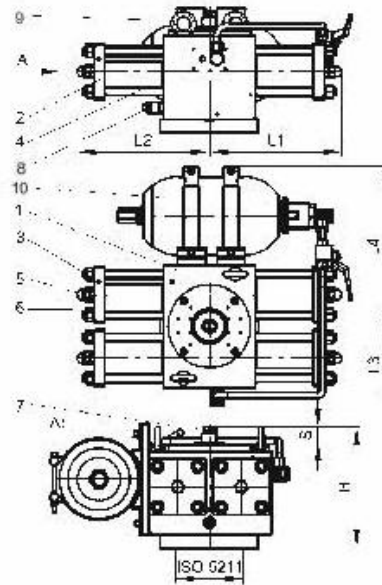
Closing direction: Clockwise (CW)

Painting: 1-comp. epoxy thick film coat.

Male stud coupling: OD8 to OD12

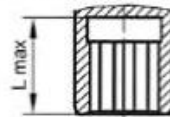
OPTIONS:

- Sea water resistant shaft.
- Male stud coupling in stainless steel.
- Electric limit switches IP 65, IP 68 or IP 67 Eex.
- Proximity switches IP 68.
- Position indication by volume indicator or pressure switches.
- Control blocks.
- Set for submerged installation.
- Electro-hydraulic aggregate.
- Special coating for wet conditions.

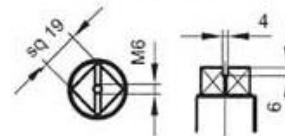


For valves with square shaft end

0° and 45°



All shaft ends:



Item	Part	Material
1	Body	EN-GJS400-15
2	Cover	EN-GJS400-15
4	Cylinder	S355J2
7	Shaft	X8CrNiS 18-9
10	Pressure vessel	34CrMo4

FOR MOUNTING ON FLANGES ACCORDING TO DIN 5211

Size	Torque ¹⁾ [Nm]		Stroke volume [cm ³]	L1	L2	L3	L4	H	S	ISO 5211	Weight [kg]
	Open	Close									
80 SC	1430	1170	473	282	282	169	305	263	36	F12 or F14 or F16	111
80 SO	1170	1430	473	282	282	169	305	263	36	F12 or F14 or F16	111
160 SC	2860	2340	946	282	282	169	342	267	36	F14 or F16 or F25	161
160 SO	2340	2860	946	282	282	169	342	267	36	F14 or F16 or F25	161
200 SC	9420	6280	2764	462	462	235	412	480	36	F16 ²⁾ or F25 or F30	415
200 SO	6280	9420	2764	462	462	235	412	480	36	F16 ²⁾ or F25 or F30	415

1) For control pressure 10.3 MPa

2) H = 450, Weight = 365

SHAFT CONNECTION

Size	□sq				L _{max}
80	24	27	30	36	60
160	24	27	32	36	60
200	Upon request				110