

# HYDRAULIC LINEAR ACTUATOR

SHLAV/DA

## DOUBLE ACTING TYPE

### DESCRIPTION:

Hydraulic linear actuator for dry or submerged installation.

### APPLICATION:

Used for stop and non-return valves.

**MAX. WORKING PRESSURE:** 0.1 MPa

### WORKING TEMPERATURE:

NBR O-Rings (standard): -30°C to +100°C

Viton® O-Rings (optional): -15°C to +200°C

### HYDRAULIC OIL:

HLP 32 (-10°C to +50°C)

To protect the environment use environmental friendly hydraulic oil:

PLANTOFLUX-AT-S

### MATERIAL:

See table below.

### PAINTING:

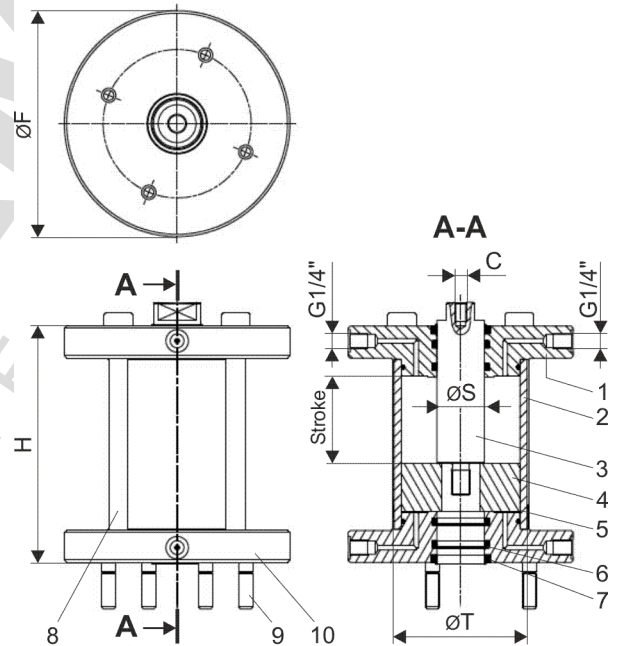
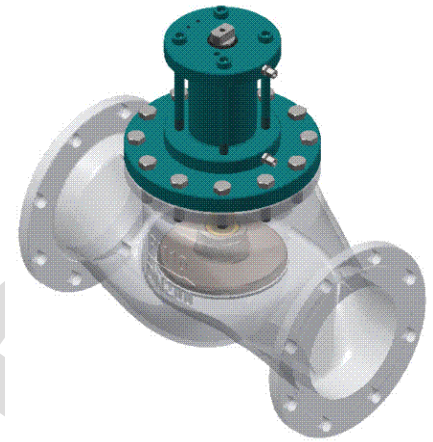
Base coating: 160µm Epoxy

Final coating: 120µm Epoxy

Color: RAL 5018

### OPTIONS:

- Submerged type.
- Electric limit switches IP 67, IP 68 or Ex-proof.
- Proximity switches IP 68.
- Position feedback by volume indicator or pressure switch.
- Various control blocks.
- Quick coupling for emergency operation.
- Throttle valve for speed control.
- Potentiometer.
- Electro-hydraulic power pack.



Item	Part	Material
1	Cover	EN-GJS400-15 (GGG 40)
2	Tube	E335 + C
3	Stem	CuZn35Ni3Mn2AlPb or X20Cr13
4	Piston, complete	Steel
5	O-Ring	NBR
6	Groove ring	NBR
7	Mud stripper	NBR
8	Hexagon socket head cap screw	
9	Stud bolts with threaded ends	
10	Cover flange	EN-GJS400-15 (GGG 40)

Description	SHLAV/DA											
	DN32	DN40	DN50	DN65	DN80	DN100	DN125	DN150	DN200	DN250	DN300	DN350
PN max. [bar]	16	16	16	16	16	10	10	10	6	6	6	6
F max. [N]	12940	12940	12940	12940	12940	20220	29120	39640	80890	80890	80890	80890
Height (H)	130	132	136	141	146	164	173	185	219	235	252	269
Diameter flange (ØF)	98	98	98	98	98	110	120	130	190	190	190	190
Diameter tube (ØT)	48	48	48	48	48	60	70	80	112	112	112	112
Diameter stem (ØS)	20	20	20	20	20	25	30	30	40	40	40	40
Female thread (C)	M6	M6	M6	M6	M6	M6	M8	M8	M10	M10	M10	M10
Oil volume [cm <sup>3</sup> ]	11	13	17	21	26	49	90	158	443	458	660	772
Stroke	10	13	16	19	23	30	40	48	64	78	90	115
DIN EN ISO 5210*	F05/F07	F05/F07	F05/F07	F05/F07	F05/F07	F07	F07/F10	F10	F12/F14	F12/F14	F12/F14	F12/F14

\* FOR MOUNTING ON FLANGE ACCORDING TO DIN EN ISO 5210

FLANGE CONNECTION DIMENSIONS ACCORDING DIN EN 1092-2 (Alternative dimensions upon request)