
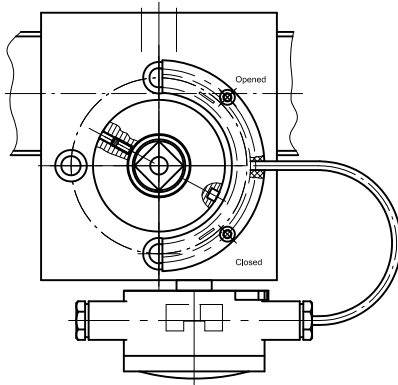


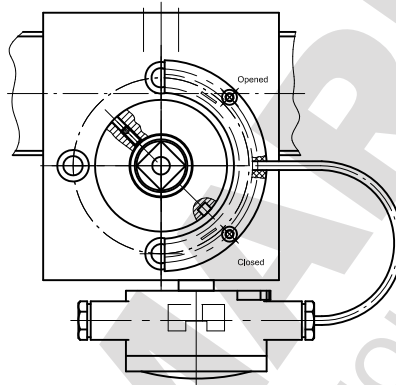
10.2 Adjustment of limit switches

For this work you need:	
Allen key size 3	

Picture 1

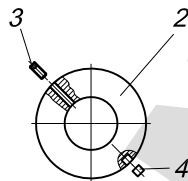


Picture 2

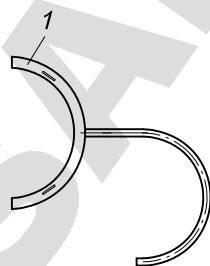


To adjust the limit switch close the valve completely (clockwise) by hand pump or remote controlled. The cables must be connected acc. to picture 4 to the control system. Switch on the power. Loose the grub screw (3) by an allen key. Turn the switch plate in position like picture 1. After this turn the switch plate in clockwise direction until the position is indicated in the control system. In this position the switch plate is to be fixed by the grub screw (3).

Picture 3



- 1 Limit switch with reed contacts
- 2 Switch plate
- 3 Grub screw
- 4 Magnet



Picture 4

