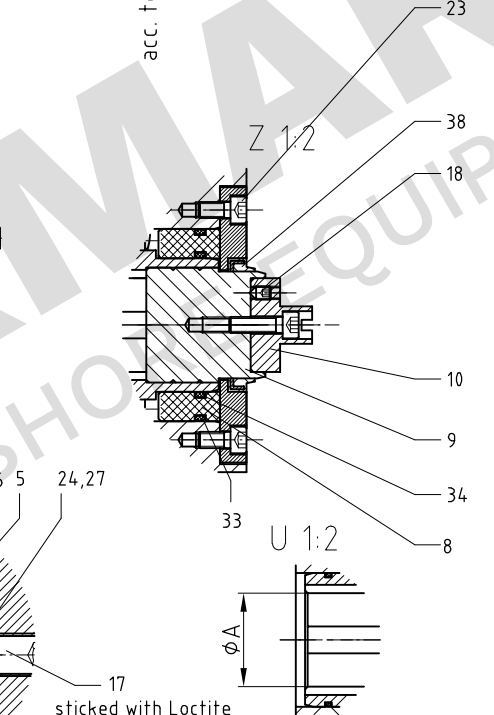
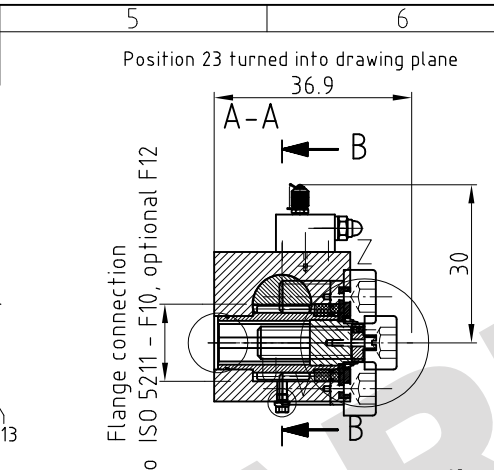
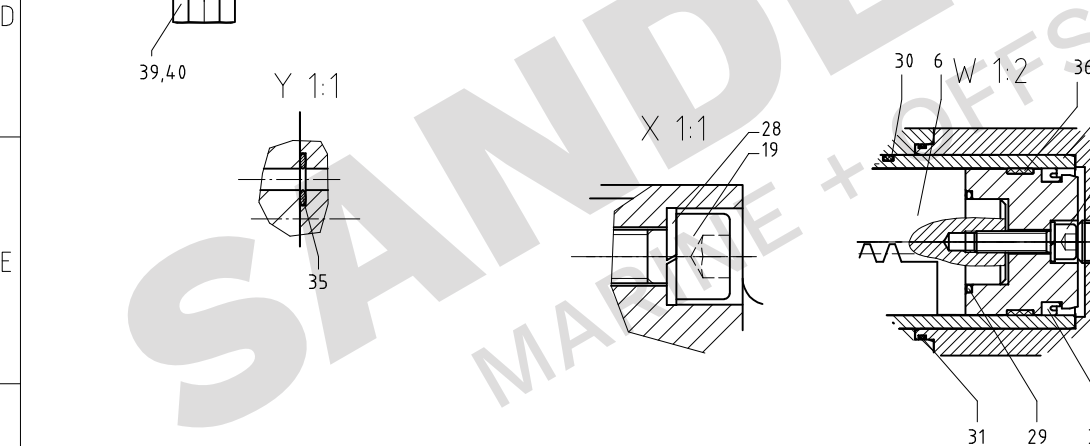
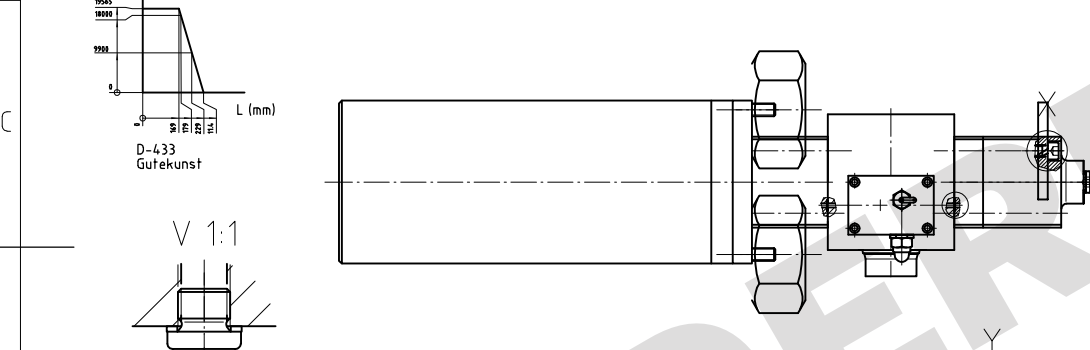
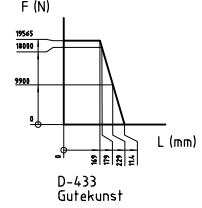


Diagramm für alle Federn zusammen



Pos.	Item Number	Description	Material	Gewicht/Weight
1	0891-00-339	body	GGG-40	
2	0850-00-146	cover	GGG-40	
3	0850-00-210	cover, stop	GGG-40	
(4)				
5	0837-00-101	bush	Steel	
6	0975-00-024	rack bar	42CrMo4	
(7)				
8	0837-00-038	bush	PTFE/graphite	
9	0966-00-062	pinion plug	1.4571	
10	0844-00-002	adjusting washer	1.4571	
11	0884-00-026	flange	steel	
12	0884-00-025	flange	steel	
13	0934-00-061	piston	steel	
14				
15				
16				
17	0120-00-032	grub screw	A4	
18	0120-00-033	grub screw	A4	
19	0101-00-127	cyl.screw	10.9	
20				
21				
22				
23	0101-00-074	cyl.screw	A4	
24	0101-00-028	cyl.screw	8.8	
25				
26				
27	0201-00-016	spring ring	A4	0,01 kg
28	0201-00-017	spring ring	A4	
29	0301-00-048	o-ring	NBR	0,0008 kg
30	0301-00-068	o-ring	NBR	0,0014 kg
31	0301-00-106	o-ring	NBR	0,007 kg
32	0301-00-118	o-ring	NBR	0,00047 kg
33	0301-00-105	o-ring	NBR	0,00155 kg
34	0301-00-063	o-ring	NBR	0,00188 kg
35	0301-00-014	o-ring	NBR	0,00004 kg
36	0318-00-007	Guide strip	PTFE/Bronze	0,01 kg
37	0306-00-045	piston sealing	NBR	0,02 kg
38	0311-00-027	mud stripper	PU 7	0,02 kg
39	0312-00-031	sealing ring	Cu	0,002 kg
40	0112-00-007	plug	A4	
41				
42				
43	0301-00-079	o-ring	NBR	0,0025 kg
44				
45	0629-00-002	expander		
46				

Max. working pressure: 13 Mpa
 Test pressure: 20 Mpa
 Torque: 312Nm at 10.5 Mpa
 Stroke volume at 90°: 117,6 cm³

Position 45 (expander) not shown

32	+61605120	
30	+61605110	
Ritzelbohrung φA H7	Artikel	

32		Untoleranced dimensions acc. to ISO 2768-m		Roughness acc. to ISO 1302	
Scale: -		A3		Weight: -	
				Material: -	
<h1>Hydraulic Actuator</h1>					
Index	Revision	Date	Name	Article-No.:	
All edges to be chamfered					
OUR DRAWINGS ARE SUBJECT TO COPYRIGHT					
SANDERMARINE			Date	Name	Drawing-No.:
MARINE + OFFSHORE EQUIPMENT			09.04.2019	----	
BREMEN-GERMANY			Checked		Figure:
E-Mail: info@sander-marine.com					
				3-3830	
				0967	